

MiTek® JOIST-IK®

INSTALLATION GUIDE

MiTek D4 Adhesive - JOIST-IK®: a solvent free, single component adhesive developed for bonding decking to joists, and sealing tongue and groove joints. Suitable for use with Posi-Joists™, I-Joist, solid timber and other engineered wood products for the fixing of P5 chipboard or other decking material.

Bottles should remain sealed in the original containers and be stored at room temperature from 5°C up to 25°C, in a dry location.

PROTECT FROM FROST

1kg bottle with applicator nozzle and cap

Nozzle guides for variable flow rate

Foams as it cures to identify that joints are fully sealed

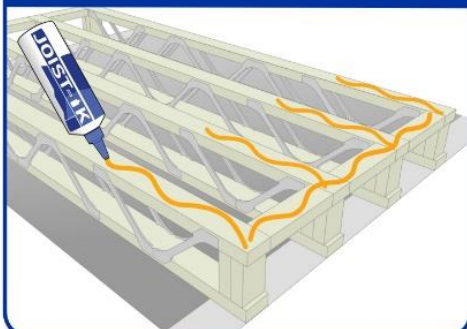
For bonding the board to the joist and within the tongue & groove joints: 1 bottle per 6 boards

Fully compliant with EN204



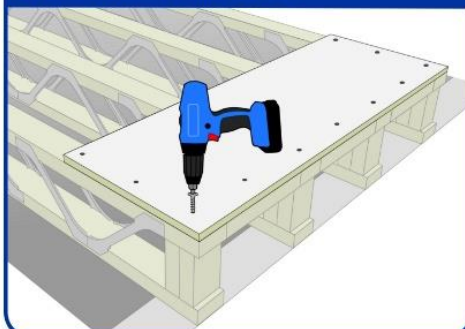
STEP 1.

Apply a wavy bead of JOIST-IK® adhesive to the top of the joists/noggins under the first row of decking boards.

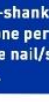


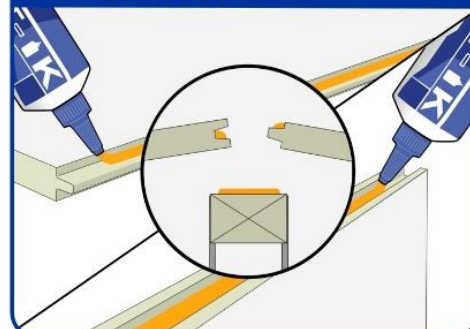
STEP 2.

Fix the end decking board using ring-shank nails or screws. Use one fixing per joist and one per noggin around the perimeter of floor. Ensure nail/screw heads are flush or below the board surface.



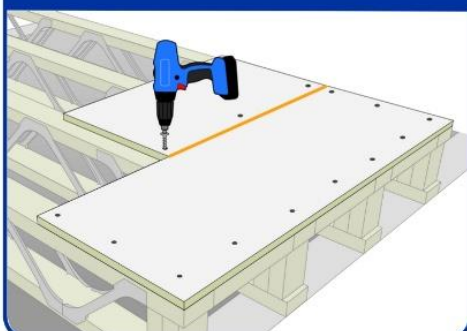
STEP 3.

Repeat Step 1 then apply JOIST-IK® adhesive to both the tongue and groove of each board. JOIST-IK® should squeeze out the top surface of the joints once the boards have been pushed into place.




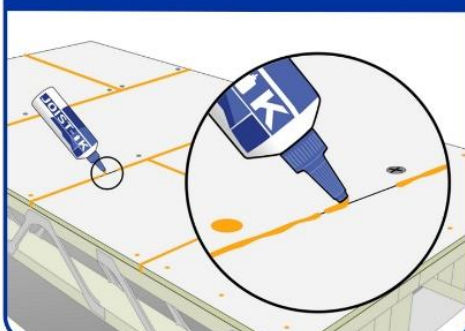
STEP 4.

Fix the applied board using one fixing per joist at the glued end of the decking board. Repeat steps 1 to 4 for all remaining board.



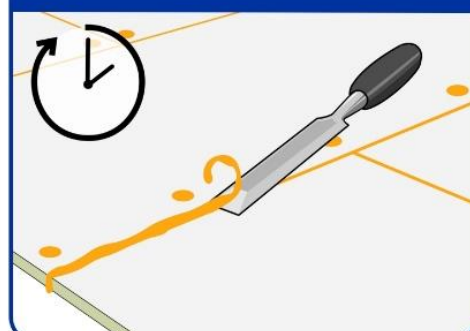
STEP 5.

Apply JOIST-IK® to nail/screw head and fill any voids that can be seen between joints.



STEP 6.

Allow the adhesive to cure and remove any excess from the board joints. Curing time may vary depending on temperature.



MiTek®

MiTek House
Grazebrook Industrial Park
Peartree Lane
Dudley
West Midlands
DY2 0XW

Phone: +44(0)1384 451400
Email: info@mitek.co.uk



WARNING

Before using JOIST-IK®, ensure that all appropriate safety measures have been taken. Please ensure the required PPE is worn. Only use in well ventilated areas.



Go to: www.mitek.co.uk/products/joist-ik
or scan the QR code for more information