



EASY-CUT 800 SERIES SAW

AUTOMATIC SINGLE BLADE CROSS-CUT SAW

I SINGLE BLADE SAW

- 3 Axis and 4 Axis saws available.
- Manual, semi automated and can be file driven.
- Infeed and outfeed length to suit.
- Windows based touch screen.
- 800mm diameter cutting blade.
- Remote support via TeamViewer.



TECHNICAL INFORMATION

EASY-CUT 800 SERIES SAW AUTOMATIC SINGLE BLADE CROSS-CUT SAW

DESCRIPTION

The MiTek Easy-Cut 800 series saws are an advanced single blade saw with a three or four axis controller. The cutting blade is 800mm diameter. The saws are fully automatic and should be networked which allows the saw files to be sent direct to the saw and can allow remote support via TeamViewer.

FEATURES

6.0m infeed conveyor with back rail, unpowered rollers
400mm long, 76mm dia @ 500mm centres

6.5m outfeed conveyor with guide rail, unpowered rollers
400mm long, 76mm dia @ 500mm centres

Automatic length stop

Twin vertical clamps

Four horizontal clamps

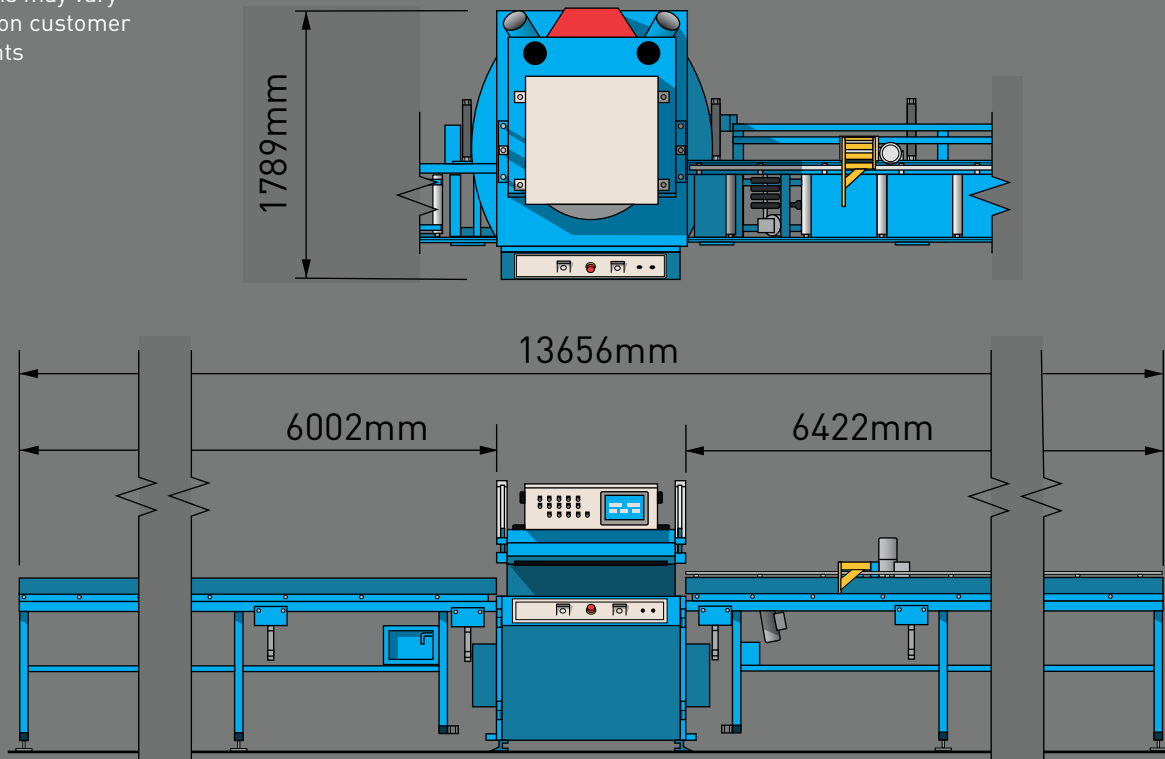
Two powered out/in rollers

PHYSICAL DATA

Overall height: 2.4 m

Overall saw length: 13.66 m

*Dimensions may vary depending on customer requirements



MiTek Industries Limited

MiTek House, Grazebrook Industrial Estate,
West Midlands, Dudley DY2 0XW
www.mitek.co.uk
Tel: 01384 451400

For more information contact:

David Thomas - Head of Machinery
Email: DThomas@MiTek.co.uk
Tim Garner - Sales & Marketing Director
Email: TGarner@MiTek.co.uk