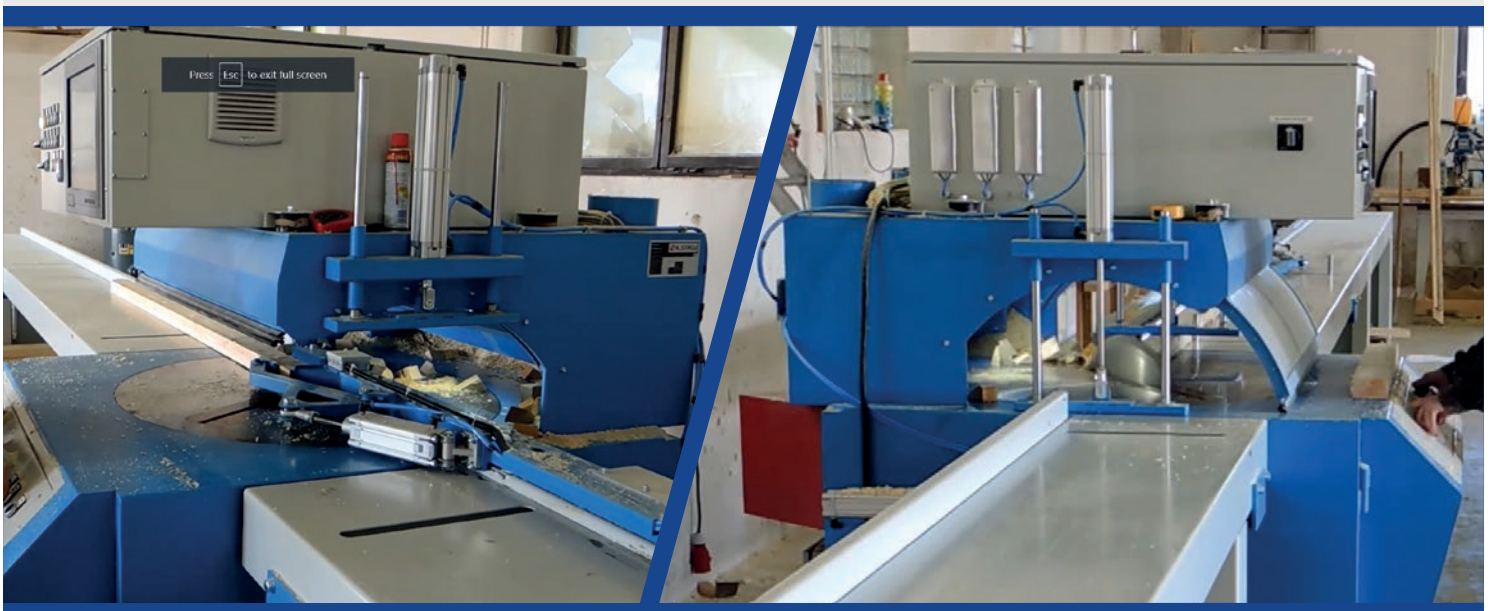




## 800 PLUS SAW OPTIMISING SINGLE BLADE CROSS-CUT

### I SINGLE BLADE SAW

- 3 Axis saw with optimisation.
- Manual, semi automated and can be file driven.
- Infeed and outfeed length to suit.
- Windows based touch screen.
- 800mm diameter cutting blade.
- Remote support via TeamViewer.



# TECHNICAL INFORMATION

## 800 PLUS OPTIMISING SAW AUTOMATIC SINGLE BLADE CROSS-CUT SAW

### DESCRIPTION

The MiTek 800 series saws are an advanced single blade saw with a three or four axis controller. The cutting blade is 800mm diameter. The saws are fully automatic and should be networked which allows the saw files to be sent direct to the saw and can allow remote support via TeamViewer.

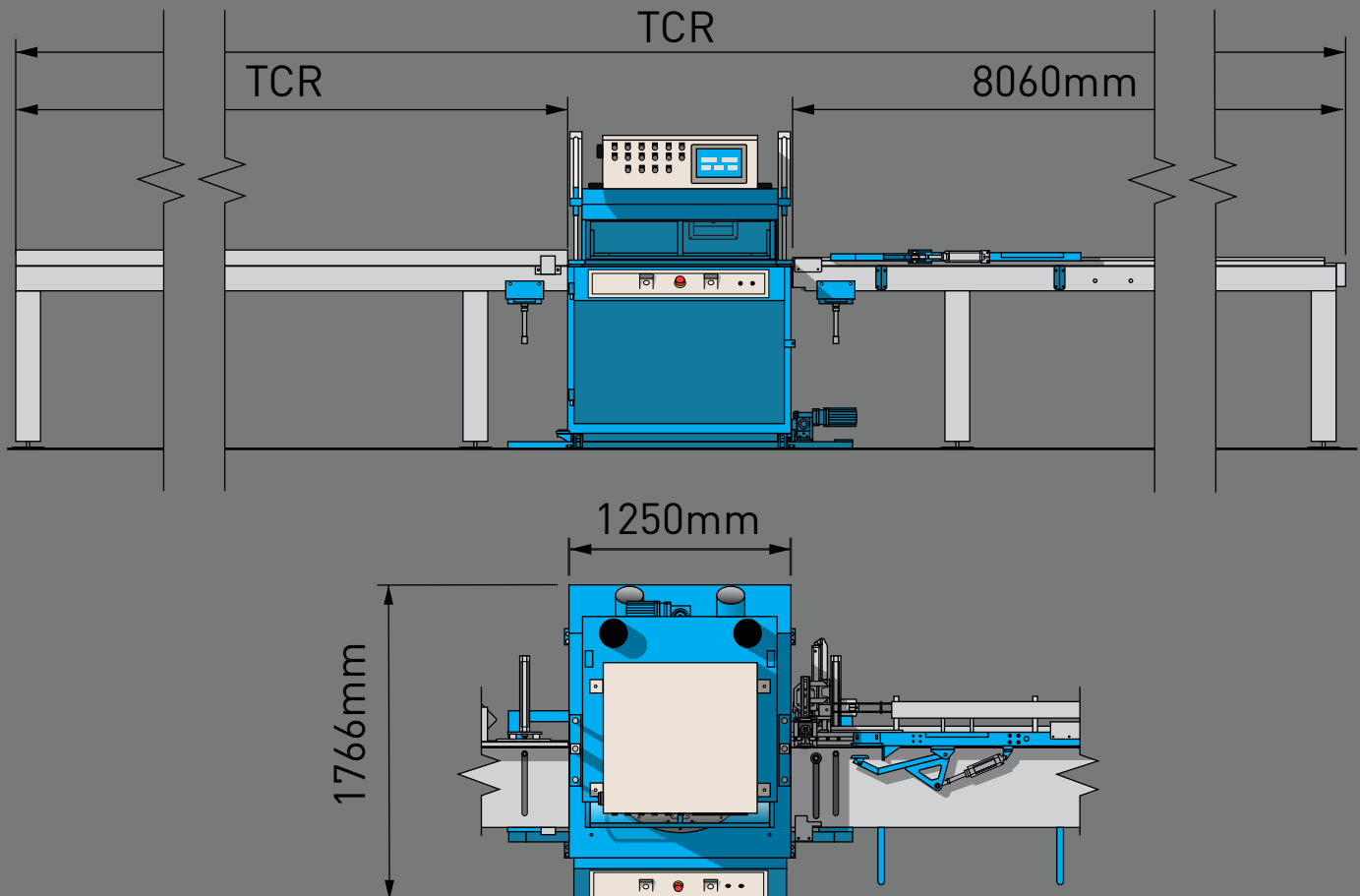
### PHYSICAL DATA

Overall height: 2.4 m  
Overall saw length: 14.73 m

### FEATURES

- 6.0m infeed conveyor with back rail, unpowered rollers 400mm long, 76mm dia @ 500mm centres
- 6.5m outfeed conveyor with guide rail, unpowered rollers 400mm long 76mm dia @ 500mm centres
- Automatic length stop with grabber
- Optimisation with option of printer
- Twin vertical clamps
- Four horizontal clamps Two powered out/in rollers

\*TCR: To customer requirements



**For more information contact:**

**David Thomas** - Head of Machinery

**Tim Garner** - Sales & Marketing Director

**Email:** DThomas@MiTek.co.uk

**Email:** TGarner@MiTek.co.uk

**Mobile:** 07831 416 586

**Mobile:** 07814 534 932