

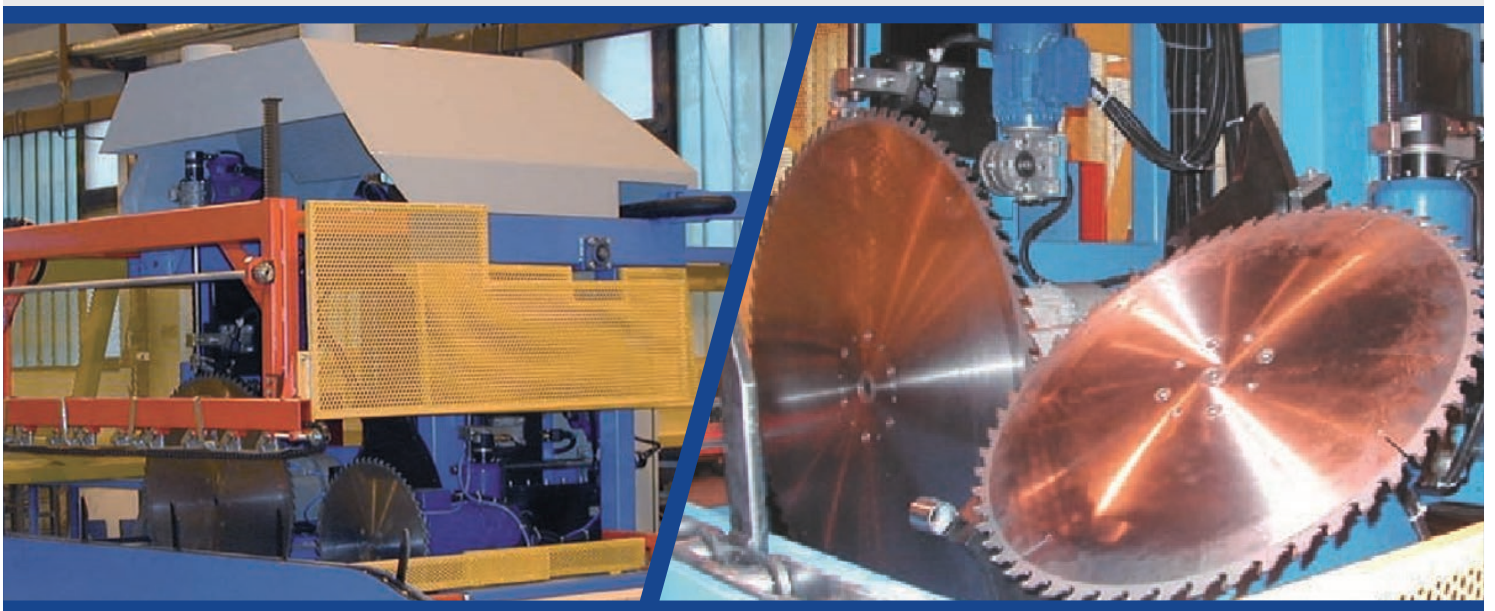


# EASY-CUT 4 COMPONENT SAW

## I MULTI-BLADE SAW

The Easy-Cut 4 Saw is a power-assisted, manually set up component saw, where all axis positions are set up using push-button control and LCD read-outs at two control panels.

Rugged, versatile, dependable the Easy-Cut 4 combines the best mechanical features with the latest in fabricating technology, to provide you with a fast, efficient and modern four blade component saw that delivers a full range of cutting capabilities.



# TECHNICAL INFORMATION

## EASY-CUT 4 COMPONENT SAW

### PERFORMANCE DATA

Maximum lumber height: 280 mm  
 Maximum straight cut length: 6,000 mm  
 Minimum straight cut length: 500 mm  
 Minimum cut with four 45°: 680 mm

### PHYSICAL DATA

Overall width: 3.65 m  
 Overall height: 2.6 m  
 Overall saw length: 11.5 m  
 Shipping weight: 5 t (approx.)  
 Power requirement: 32.3 kW  
 Four bladed component saw for web cutting:  
 Fixed end:  
 Saw#1, 800 mm, carbide blade  
 Saw#2, 500 mm, carbide blade  
 Carriage end:  
 Saw#3, 500 mm, carbide blade  
 Saw#4, 800 mm, carbide blade

### FEATURES

Two central control stations that allows all set-up operations to be performed at the sawyer feed station.

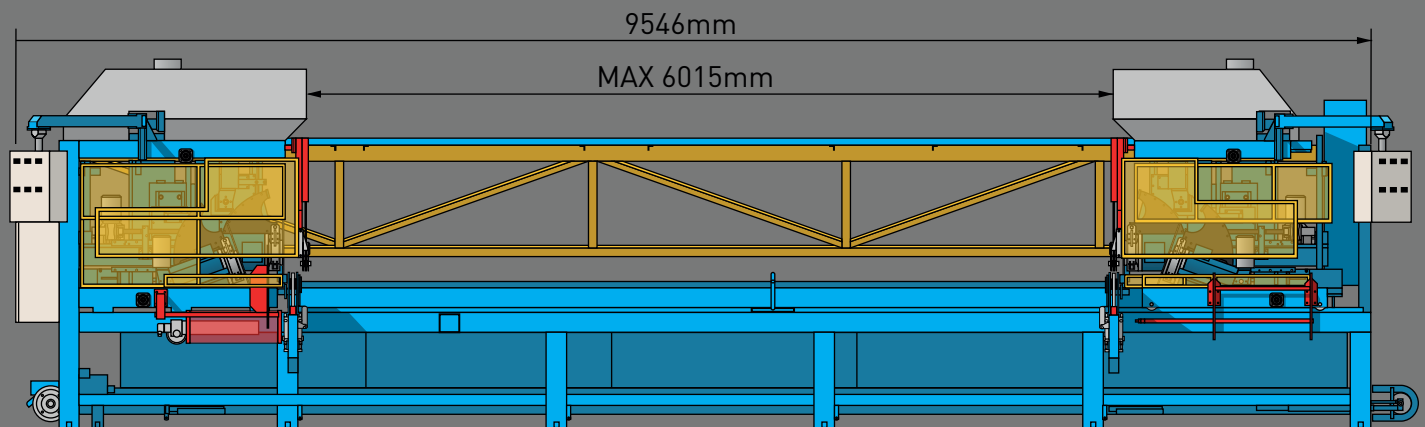
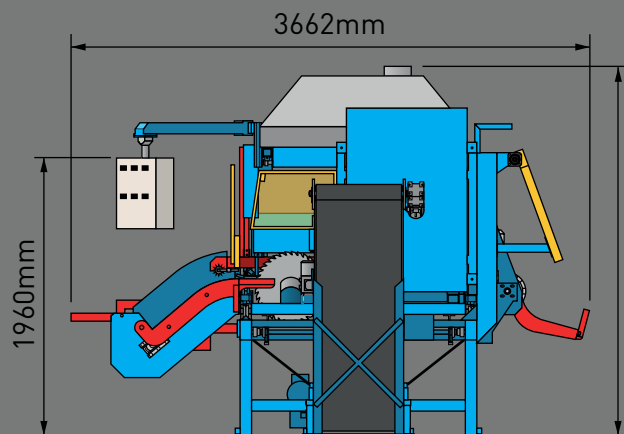
All quadrants have powered angulation with electronic digital readouts and independent powered vertical centreline adjustment with readouts.

Heavy duty lumber conveyor with variable speed drive, 0-50 pieces per minute.

Variable speed angulation drives for faster, more accurate set up.

Heavy duty precision machined slide and casting quadrant construction.

\*Drawings not to scale. Please contact us for more detailed information



For more information contact:

David Thomas - Head of Machinery

Tim Garner - Sales & Marketing Director

Email: DThomas@MiTek.co.uk

Email: TGarner@MiTek.co.uk

Mobile: 07831 416 586

Mobile: 07814 534 932