



MARK 1 PRESS

TRACKLESS PRESS SYSTEM

- 30 tonne hydraulic press with 700 x 500 mm platen.
- Control panel with touch screen.
- Pressing area dependant on number of tables.
- Fully compatible with MiTek software.
- Optical and mechanical high-speed emergency stops.
- Pneumatic ejectors with individual stop valves.
- Steel tables 4.2 – 4.8 x 1.93m with Halfen rails.



TECHNICAL INFORMATION

MARK 1 PRESS - TRACKLESS PRESS SYSTEM

DESCRIPTION

Rugged, versatile and dependable, the Mark 1 press satisfies the needs of all truss fabricators with a fast, efficient, single 30 tonne press head. It combines the best mechanical features with the latest in fabricating technology to provide you with a state of the art press for the 21st Century. Can be used with MiTek Virtek laser system.

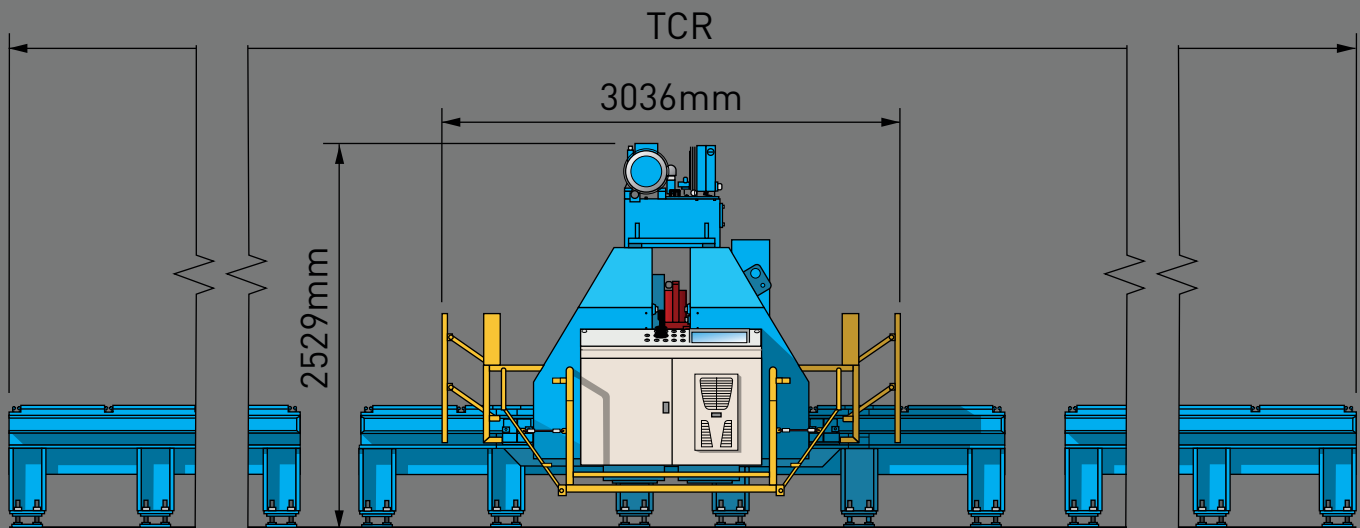
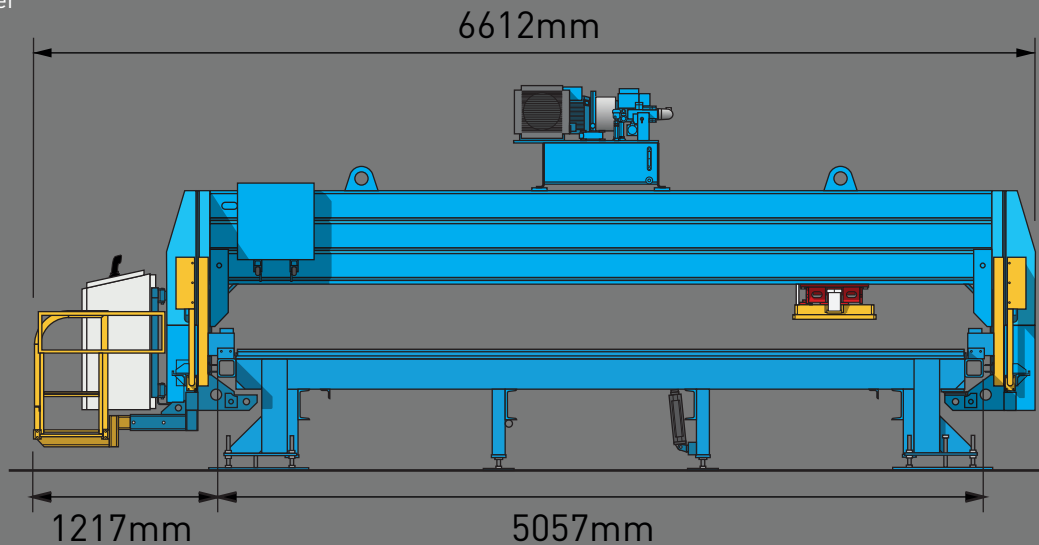
STANDARD FEATURES

- One or two parking zones.
- Wi-Fi network connection.
- Pucks and jig kit accessories.
- Traversing ejectors Bridges for ejector gaps.

PHYSICAL DATA

- Overall table width: Max 4.8m
- Overall length: Varies with table numbers
See illustrated layout.

*TCR: To customer requirements



For more information contact:

David Thomas - Head of Machinery

Email: DThomas@MiTek.co.uk

Mobile: 07831 416 586

Tim Garner - Sales & Marketing Director

Email: TGarner@MiTek.co.uk

Mobile: 07814 534 932