



MARK 1 LIGHT PRESS

I TRACKLESS PRESS SYSTEM

- 25 tonne hydraulic press platen
- Control panel with touch screen monitor
- Manual, teach and go and file driven pressing
- Fully compatible with MiTek software
- Optical and mechanical high-speed emergency stops
- Pressing area dependent on length of table



TECHNICAL INFORMATION

MARK 1 LIGHT PRESS

DESCRIPTION

Rugged, versatile and dependable, the Mark 1 Light press satisfies the needs of all truss fabricators with fast efficient single 25 tonne press head. It combines the best mechanical features with the latest in fabricating technology to provide you with a state of the art press for the 21st Century. Can be used with MiTek Virtek laser system.

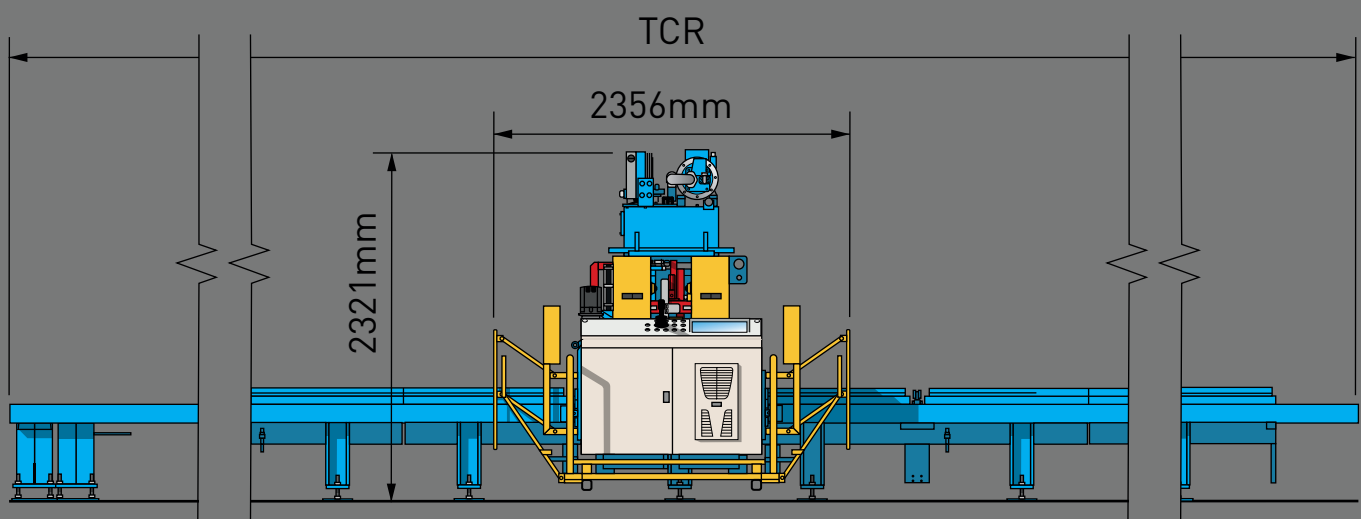
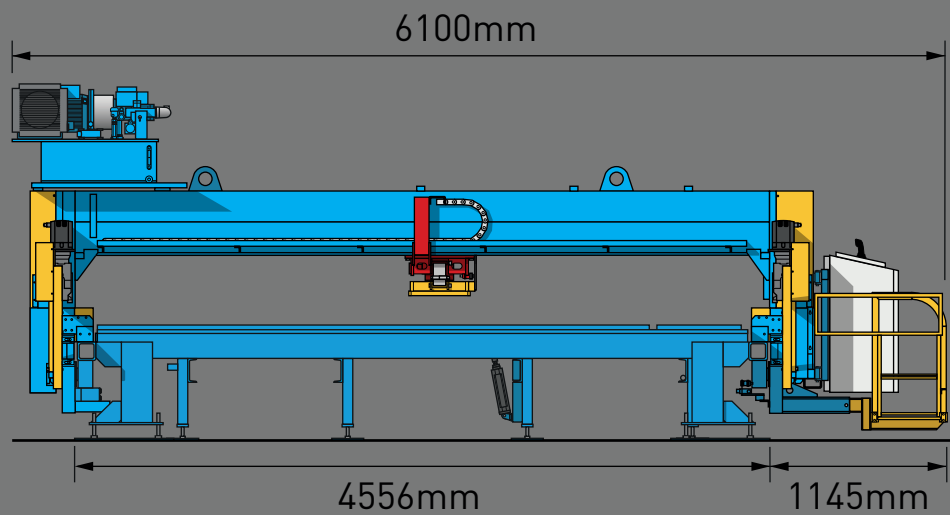
STANDARD FEATURES

- One or two parking zones
- Wi-Fi network connection
- Pucks and jig kit accessories

PHYSICAL DATA

Overall table width: Max 4.2m
 Overall length: To Customer Requirements
 See illustrated layout

*TCR: To customer requirements



For more information contact:

David Thomas - Head of Machinery

Email: DThomas@MiTek.co.uk

Mobile: 07831 416 586

Tim Garner - Sales & Marketing Director

Email: TGarner@MiTek.co.uk

Mobile: 07814 534 932