

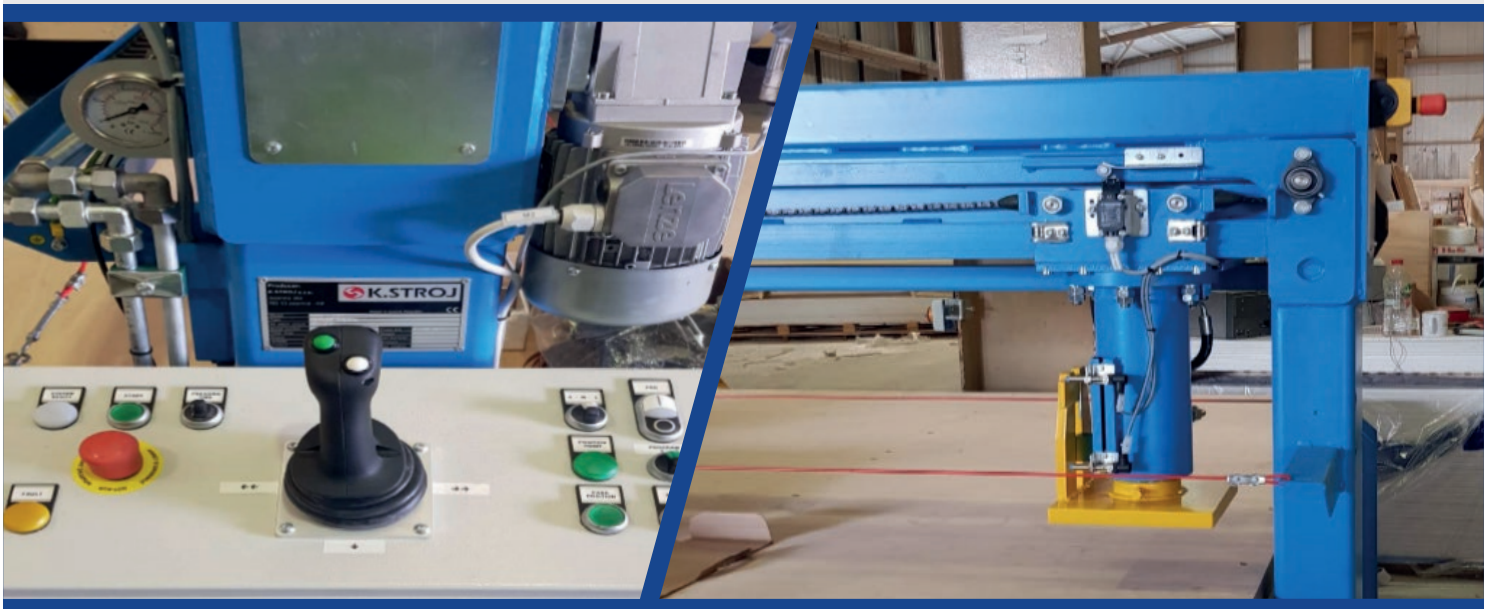


MARK 1 BABY PRESS

TRACKLESS PRESS SYSTEM

I TABLE PRESS

- 15 tonne hydraulic press platen
- Operator panel
- Manual and teach and go functionality
- Pressing area dependent on length of table



TECHNICAL INFORMATION

MARK 1 BABY PRESS - TRACKLESS PRESS SYSTEM

DESCRIPTION

Rugged, versatile and dependable, the Mark 1 Baby press satisfies the needs of all truss fabricators with a fast, efficient, single 15 tonne press head. It combines the best mechanical features with the latest in fabricating technology to provide you with a state of the art press for the 21st Century. Can be used with MiTek Virtek laser system.

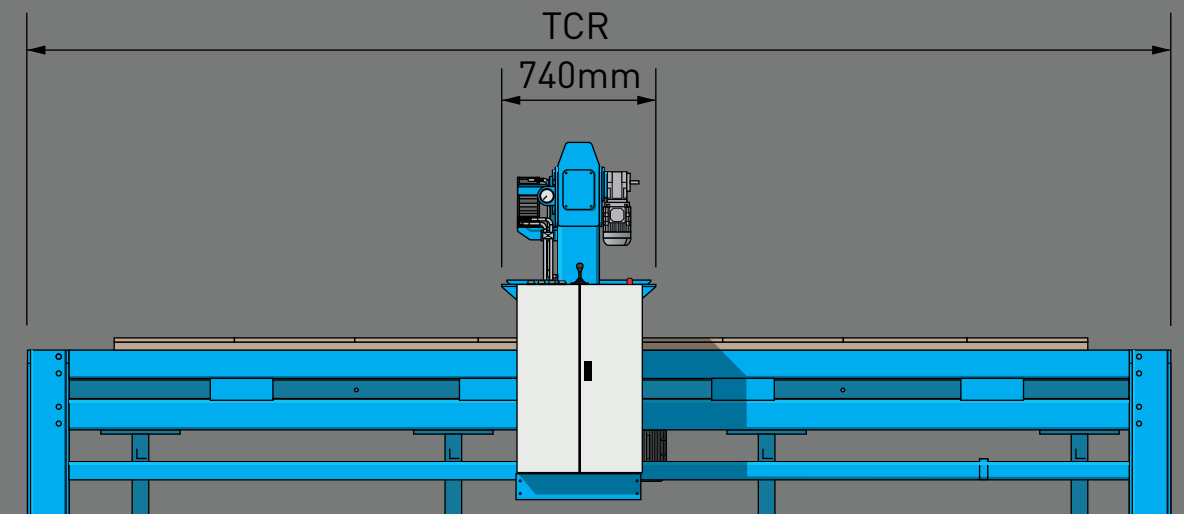
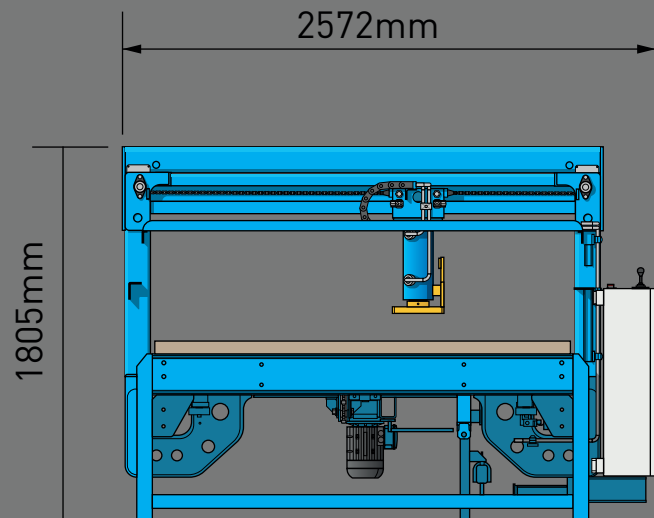
PHYSICAL DATA

Overall table width: Max 2.5 m
 Overall length: To customer requirements
 Max 10m

FEATURES

- Compact press for smaller trusses

*TCR: To customer requirements



For more information contact:

David Thomas - Head of Machinery

Email: DThomas@MiTek.co.uk

Mobile: 07831 416 586

Tim Garner - Sales & Marketing Director

Email: TGarner@MiTek.co.uk

Mobile: 07814 534 932