



Mk8c A FRAME HYDRAULIC TRUSS PRESS

I TRUSS FABRICATION EQUIPMENT

- The MiTek Mk8c A frame is a versatile truss manufacturing press mounted on an A frame I beam with 'C' clamp hydraulic press
- The Easy-Maglock non electro-magnetic pedestals on a steel floor gives the perfect ergonomic platform on which to make trusses. No more electric cables
- The walk-through jig makes unloading of trusses easy and safe
- With new start-stop system



TECHNICAL INFORMATION

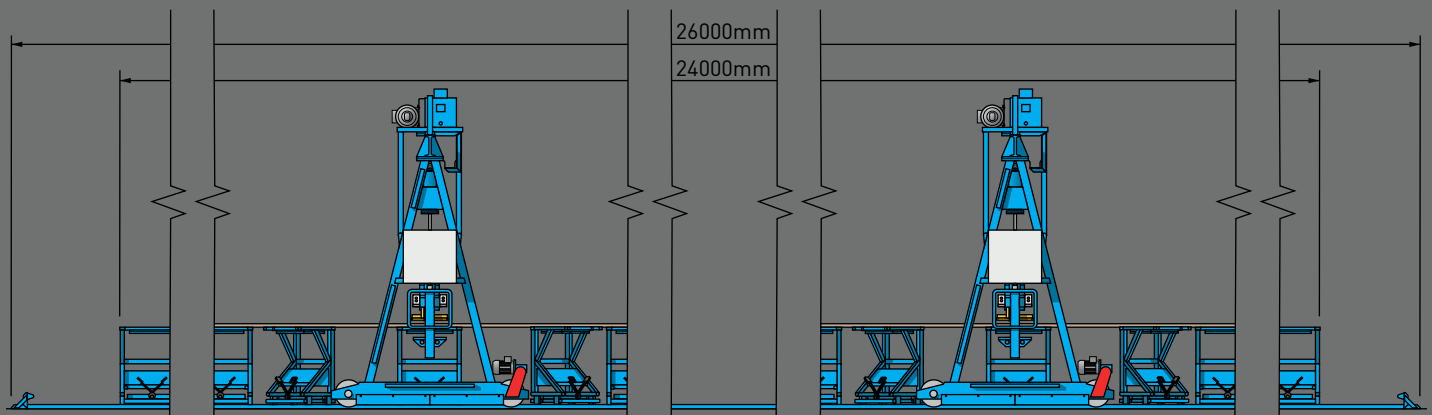
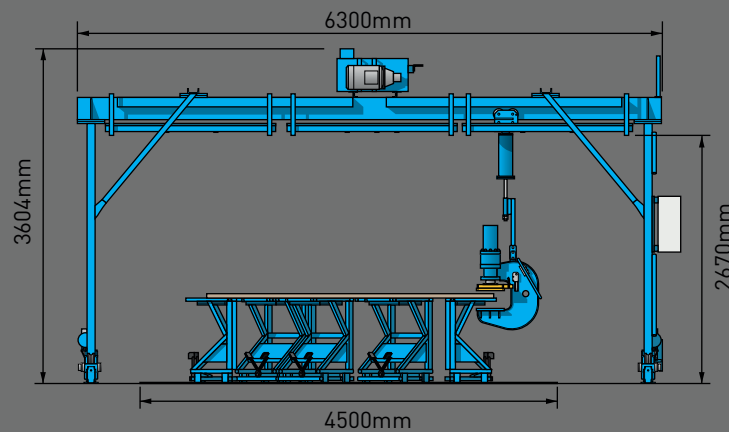
Mk8c A FRAME HYDRAULIC TRUSS PRESS WITH EASY-MAGLOCK PEDESTALS & FLEXIBLE SETUP

TECHNICAL DATA

Complete standard system includes Mk8c A frame press, 12 or 15 Easy-Maglock magnetic pedestals, V track and a steel deck. Can be used with MiTek Virtek laser system.

Press Tonnage:	30 tons
Electric Motor:	7.5Kw 400V; 50 Hz; 1,460 RPM
Gantry Dimensions:	L 6.5m W 2.3m H3.4m (Length variable to suit) 1800 Kg
Shipping Weight: Press	[Gantry & Press only]
Movement: Truss Size:	Press is self-propelled by push button controls Trusses up to 4.5m overall height and no limit on span
Easy-Maglock Pedestal:	Welded box section with rugged Halfen channel tops and foot operated permanent magnet locking

*Drawings not to scale. Please contact us for more detailed information



For more information contact:

David Thomas - Head of Machinery

Email: DThomas@MiTek.co.uk

Mobile: 07831 416 586

Tim Garner - Sales & Marketing Director

Email: TGarner@MiTek.co.uk

Mobile: 07814 534 932