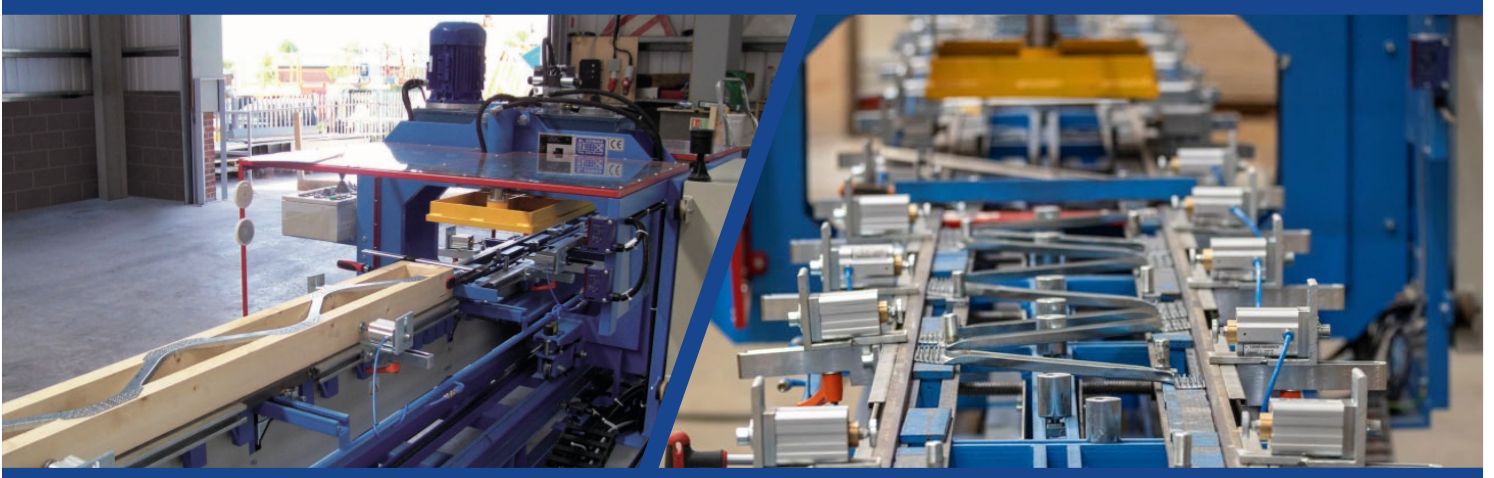




# POSI STRUT-RUNNER

## I POSI-JOIST PRESS

- The posi strut-runner has manual and teach and go facility for repetitive pressing of posi joists.
- Approx 15m long, 2m wide overall and 1.8m high.
- Hydraulic system delivers 15 tonnes of force.
- Quick change over and able to work as a pendulum system. Able to make joists with camber.



# TECHNICAL INFORMATION

## STRUT-RUNNER POSI-JOIST PRESS

### TECHNICAL DATA

Table:  
630mm wide, 15m long and 830mm high

Platten Size:  
760 x 430mm

Pressure and Capacity:  
120 bar and 15 tonne with 4kW 3 phase motor, 30 amp supply

Clamping:  
32 No Pneumatic cylinder with Quick Release. Quick change between sizes. 10 CFM air supply required

Height Adjustment:  
Motorised lead screw with 2 Button operation and LED display

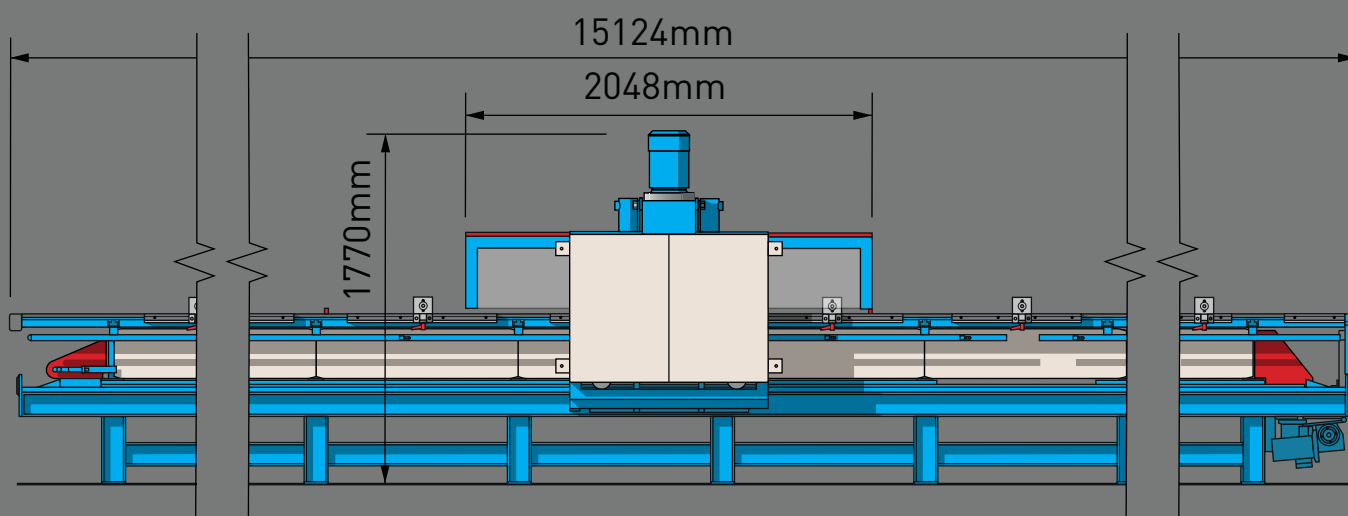
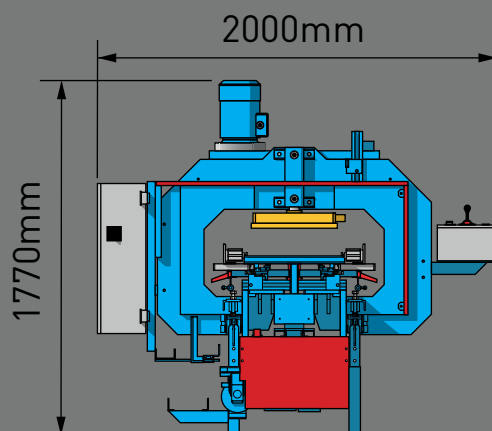
Web Location:  
Centre Unistrut channel with locator

Automation:  
PLC with teach facility. Ability to program left and right.

Safety:  
Plexiglass guard with secondary optical guard to activate 'E' Stop circuit

You may need a MiTek splice press for splicing

\*Drawings not to scale. Please contact us for more detailed information



For more information contact:

David Thomas - Head of Machinery

Email: DThomas@MiTek.co.uk

Mobile: 07831 416 586

Tim Garner - Sales & Marketing Director

Email: TGarner@MiTek.co.uk

Mobile: 07814 534 932