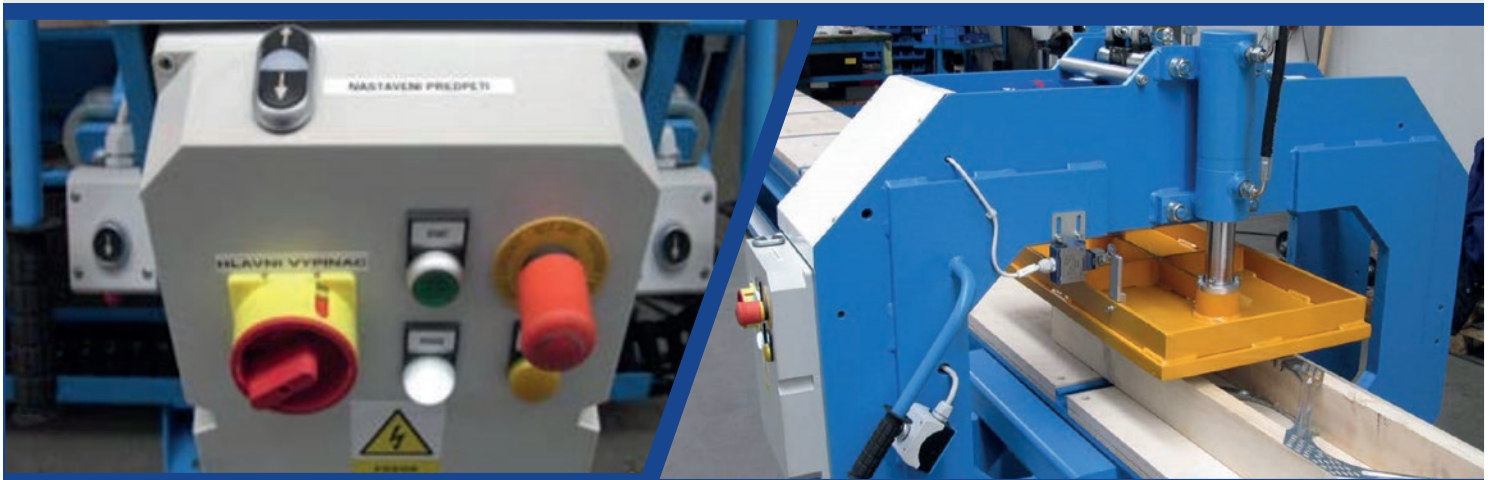


MANUAL STRUT-RUNNER

I POSI-JOIST PRESS

The manual Strut-Runner allows the manufacture of any type of parallel chord truss up to 550 mm in height. (PS8 up to PS16). A multiple purpose machine quick, easy and robust.

- Floor joists using Posi –Strut webs
- Floor joists using wood web
- Double chords (Super chords)
- X-Rafters
- Splice joints



TECHNICAL INFORMATION

MANUAL STRUT-RUNNER POSI-JOIST PRESS

TECHNICAL DATA

Press Head:
750 mm x 430 mm

Table length:
8 m (extendable)

Pressure:
15 Tonnes (hydraulic)

Electric supply :
400 VAC, 6.5A

Table:
C-channel and timber top on solid double I-beam table

All settings are mechanically, robust and simple in use. Easy to maintain.

Manual press head movement.

Pressing is operated with a two button safety control.

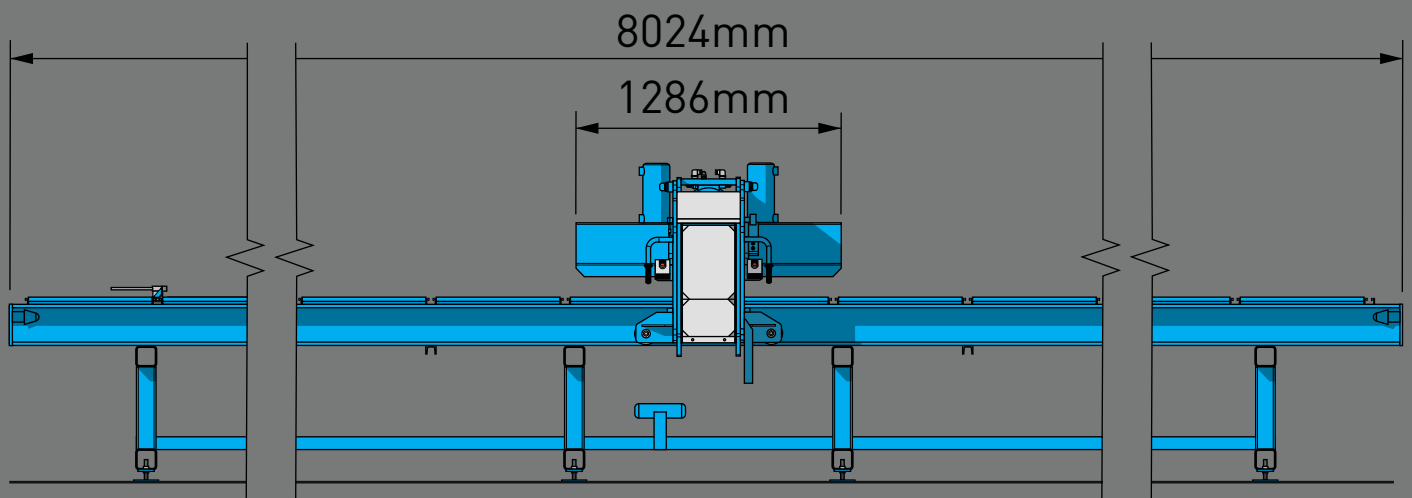
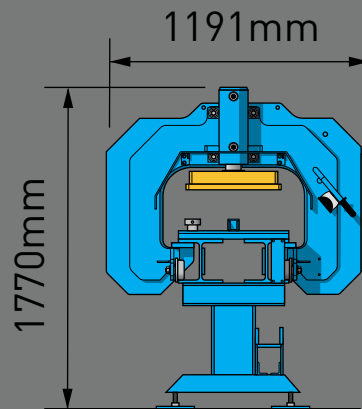
All controls are ergonomically positioned in front of the operator.

Joist depth is adjustable by mechanical end switch.

Timber table top allows for flexible set up.

C-channels for mechanical stops and clamps.

*Drawings not to scale. Please contact us for more detailed information



For more information contact:

David Thomas - Head of Machinery

Tim Garner - Sales & Marketing Director

Email: DThomas@MiTek.co.uk

Email: TGarner@MiTek.co.uk

Mobile: 07831 416 586

Mobile: 07814 534 932